



422A

Desk Stand

- Nonreflective black finish
- Snap-in neoprene clamp adapter provides excellent shock absorption
- Great for "on-camera" use

Description and Applications

The 422A is a specially designed, low-profile microphone desk stand. Created particularly for "on-camera" use, the black finish is nonreflective. A unique snap-in neoprene clamp adapter provides excellent shock isolation.

Architects' and Engineers' Specifications

The microphone desk stand shall have a low-profile, black painted die-cast zinc base, with a neoprene clamp adapter that provides shock isolation. The clamp adapter shall accept Electro-Voice 311 and 323 stand clamps for 19-mm (0.75-in.) microphones. Overall dimensions shall be 25.4 mm high x 108 mm wide x 114 mm deep (1.00 in. x 4.25 in. x 4.50 in.). Net weight shall be 0.8 kg (27 oz.). The microphone desk stand shall be the Electro-Voice 422A.

Limited Warranty

Electro-Voice products are guaranteed against malfunction due to defects in materials or workmanship for a specified period, as noted in the individual product-line statement(s) below, or in the individual product data sheet or owner's manual, beginning

with the date of original purchase. If such malfunction occurs during the specified period, the product will be repaired or replaced (at our option) without charge. The product will be returned to the customer prepaid. **Exclusions and Limitations:** The Limited Warranty does not apply to: (a) exterior finish or appearance; (b) certain specific items described in the individual product-line statement(s) below, or in the individual product data sheet or owner's manual; (c) malfunction resulting from use or operation of the product other than as specified in the product data sheet or owner's manual; (d) malfunction resulting from misuse or abuse of the product; or (e) malfunction occurring at any time after repairs have been made to the product by anyone other than Electro-Voice Service or any of its authorized service representatives. **Obtaining Warranty Service:** To obtain warranty service, a customer must deliver the product, prepaid, to Electro-Voice Service or any of its authorized service representatives together with proof of purchase of the product in the form of a bill of sale or receipted invoice. A list of authorized service representatives is available from Electro-Voice Service at 600 Cecil Street, Buchanan, MI 49107 (800/234-6831 or FAX 616/695-4743). **Incidental and**

Consequential Damages Excluded: Product repair or replacement and return to the customer are the only remedies provided to the customer. Electro-Voice shall not be liable for any incidental or consequential damages including, without limitation, injury to persons or property or loss of use. Some states do not allow the exclusion or limitation of incidental or consequential damages so the above limitation or exclusion may not apply to you. **Other Rights:** This warranty gives you specific legal rights, and you may also have other rights which vary from state to state. **Electro-Voice Accessories** are guaranteed against malfunction due to defects in materials or workmanship for a period of one (1) year from the date of original purchase. Additional details are included in the Uniform Limited Warranty statement.

For warranty repair or service information, contact the service repair department at: 616/695-6831 or 800/685-2606.

For technical assistance, contact Technical Support at 800/234-6831 or 616/695-6831, M-F, 8:00 a.m. to 5:00 p.m. Eastern Standard Time.

Specifications subject to change without notice.

422A/Desk Stand

Specifications:

Mates With:

EV 311 and 323 stand clamps for
19-mm (0.75-in.) diameter
microphones

Materials and Finish:

Black painted pressure-cast zinc base
with neoprene clamp adapter

Replacement Clamp Adapter:

EV Part No. 77606

Dimensions,

Length:

114 mm (4.50 in.)

Width:

108 mm (4.25 in.)

Height:

25.4 mm (1.00 in.)

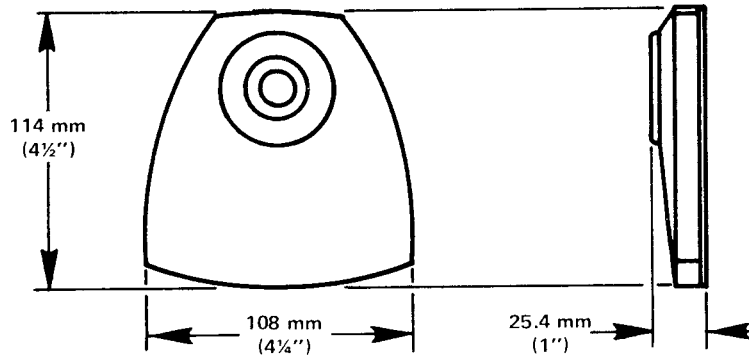
Net Weight:

0.8 kg (27 oz)

Shipping Weight:

0.85 kg (30 oz)

FIGURE 1 —Dimensions



422A/Desk Stand

Electro-Voice®

600 Cecil Street, Buchanan, MI 49107
616/695-6831, 616/695-1304 Fax